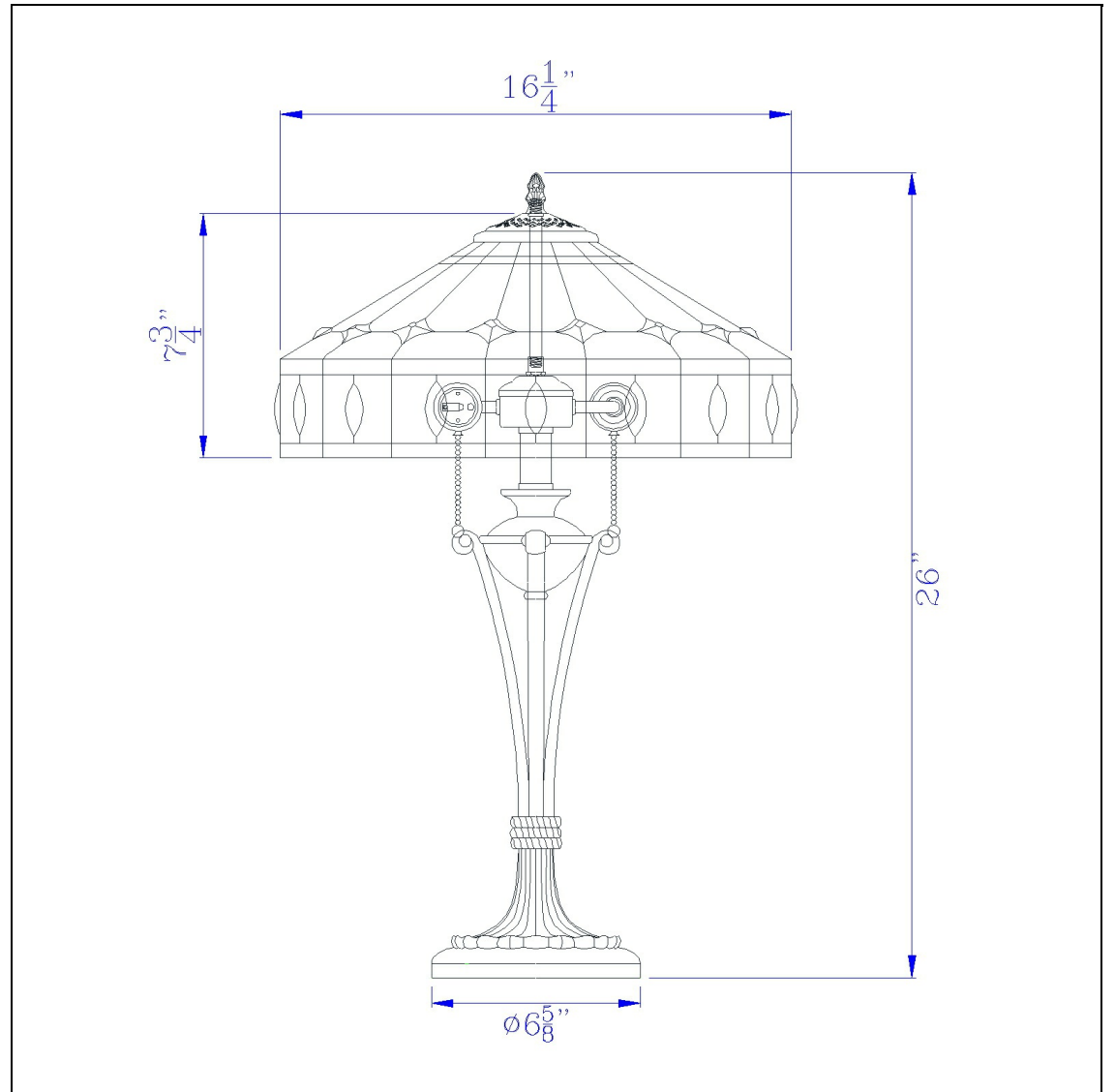


Product No. **BO-3077TB**



Description

60W x 2 Tiffany table lamp  
Durable metal construction  
Painted Tiffany Art Glass  
Pull Chain Mechanism  
Little to No Assembly Required  
Ships in One Carton  
Weighted Base for Added Stability  
Add a pop of color with this striking colored glass floor lamp. It features a patterned hand painted

Technical Specifications

<b>UPC</b>	020193067284	<b>Shade Bottom1</b>	16.00
<b>Wattage</b>	60W X 2	<b>Shade Side</b>	7.00
<b>Switch Type</b>	ON/OFF	<b>Carton 1 Dimensions</b>	24.30 x 10.80 x 22.00
<b>Bulb Base</b>	E26	<b>Carton 2 Dimensions</b>	0.00 x 0.00 x 22.00
<b>Number of Lights</b>	2	<b>Package Dimensions</b>	L: 22.00 W: 10.80 H: 24.30
<b>Color</b>	Black		