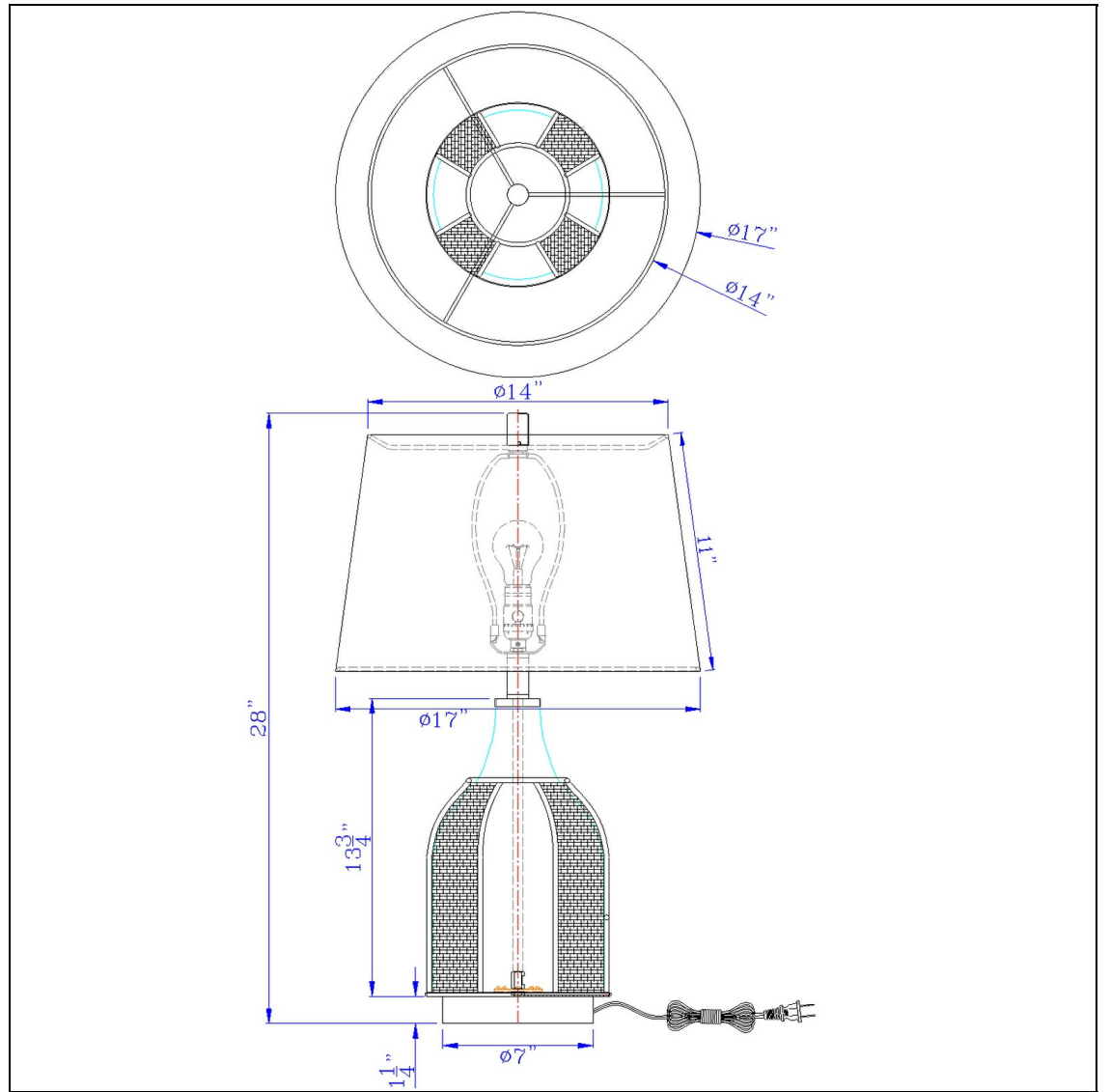


Product No. **BO-3124TB**



Description

100W Morgan glass table lamp with a 2W LED night light, mesh guard design and taper drum linen shade  
Durable Glass Construction  
Durable Glass and Metal Construction  
Rubberwood Platform Base  
Frosted White Jug Design  
Black Metal Mesh Accents  
Hardback Linen Shade Included  
This casual yet elegant table lamp is a stylish way to refresh your rooms look. It features a froste

Technical Specifications

<b>UPC</b>	020193067284	<b>Shade Top1</b>	14.00
<b>Wattage</b>	100W + 2W	<b>Shade Bottom1</b>	17.00
<b>Lumen</b>	130	<b>Shade Side</b>	11.00
<b>Switch Type</b>	3 WAY	<b>Carton 1 Dimensions</b>	22.80 x 18.30 x 18.30
<b>Bulb Base</b>	E26 + LED	<b>Carton 2 Dimensions</b>	0.00 x 0.00 x 18.30
<b>Number of Lights</b>	2	<b>Package Dimensions</b>	L: 18.30 W: 18.30 H: 22.80
<b>Color</b>	Frost/Black		