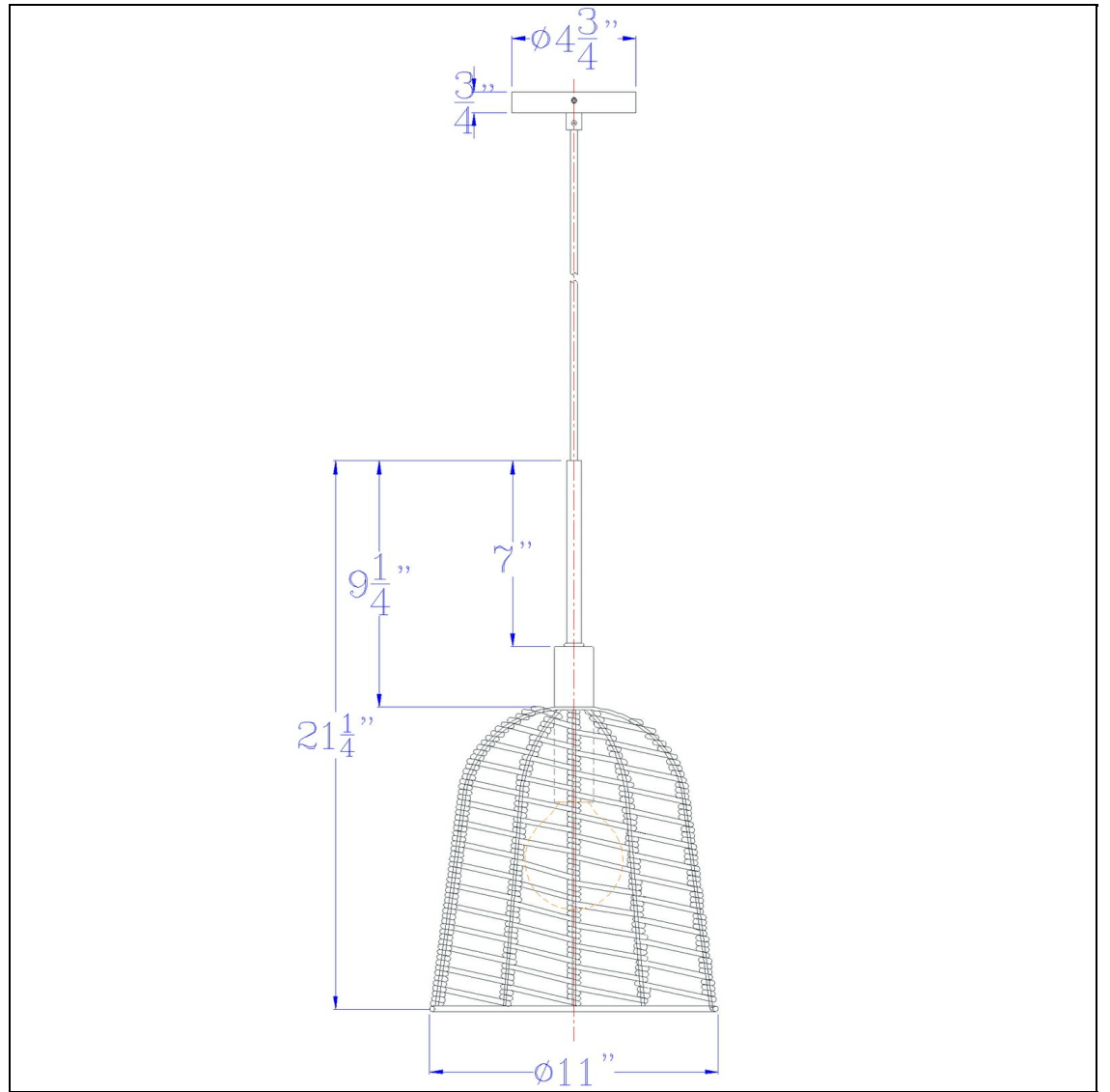


Product No. **FX-3809-1**



Description

Parkton 60W metal pendant with burlap roped shade  
Mini Pendant Light Design  
Hardwired Fixture  
Durable Metal Construction  
Braided Burlap Shade  
Ships in One Carton  
Canopy Included  
72" Black Cord  
Downlight Direction  
Add a distinctive touch to your space with this caged bell style pendant. It features a black metal

Technical Specifications

<b>UPC</b>	020193067284	<b>Carton 1 Dimensions</b>	15.30 x 13.80 x 13.80
<b>Wattage</b>	60W	<b>Carton 2 Dimensions</b>	0.00 x 0.00 x 13.80
<b>Switch Type</b>	Hardwired	<b>Package Dimensions</b>	L: 13.80 W: 13.80 H: 15.30
<b>Bulb Base</b>	E26		
<b>Number of Lights</b>	1		
<b>Color</b>	Burlap/charcoal grey		