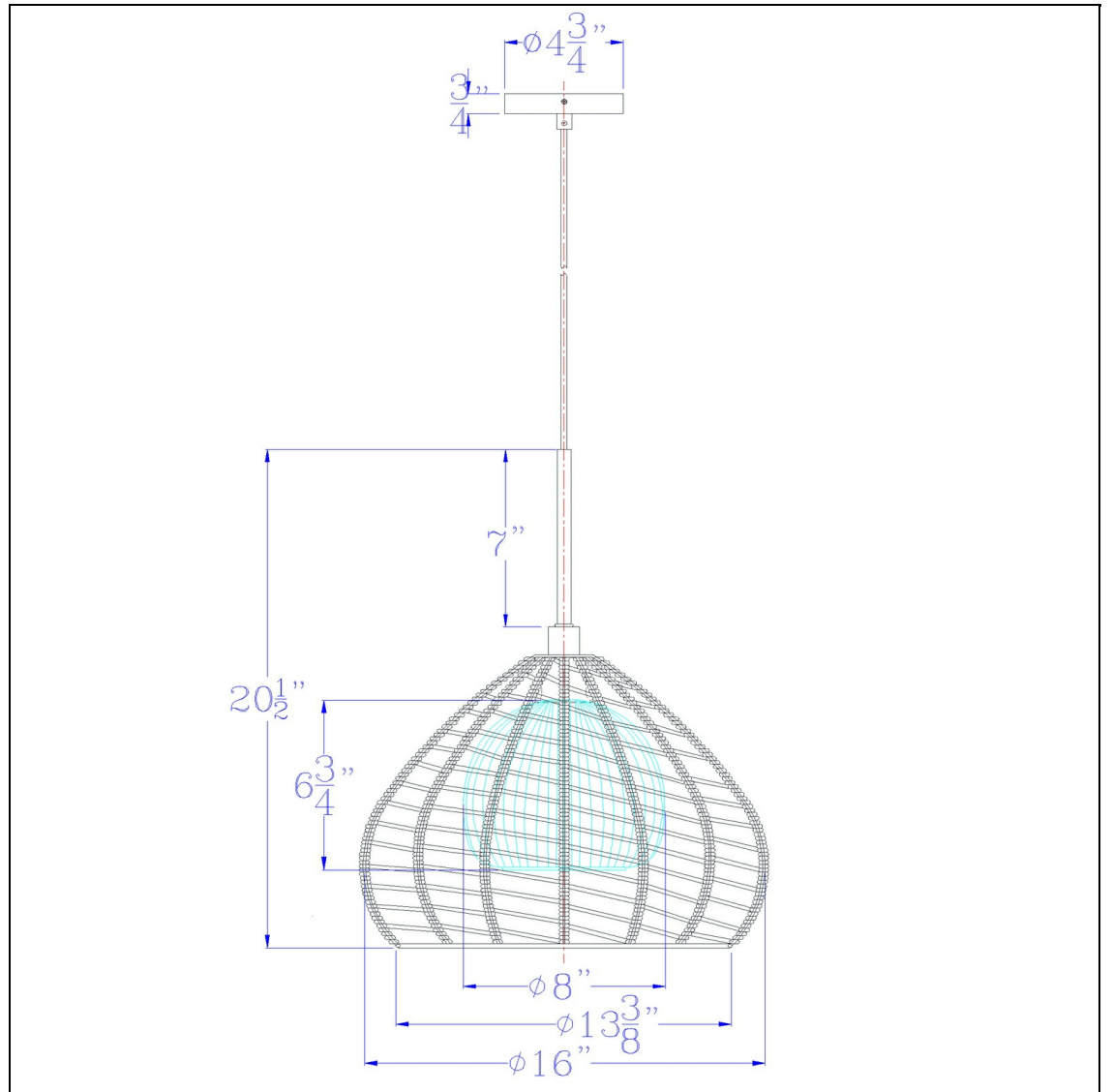


Product No. **FX-3810-1**



Description

Dunn 60W metal pendant with burlap roped shade
Medium Pendant Light Design
Hardwired Fixture
Durable Metal Construction
Braided Burlap Shade
Ships in One Carton
Canopy Included
72" Black Cord
Downlight Direction
Add a distinctive touch to your space with this caged dome style pendant. It features a black metal

Technical Specifications

UPC	020193067284	Shade Bottom1	8.00
Wattage	60W	Shade Side	6.75
Switch Type	Hardwired	Carton 1 Dimensions	15.50 x 18.50 x 18.50
Bulb Base	E26	Carton 2 Dimensions	0.00 x 0.00 x 18.50
Number of Lights	1	Package Dimensions	L: 18.50 W: 18.50 H: 15.50
Color	Burlap/charcoal grey		