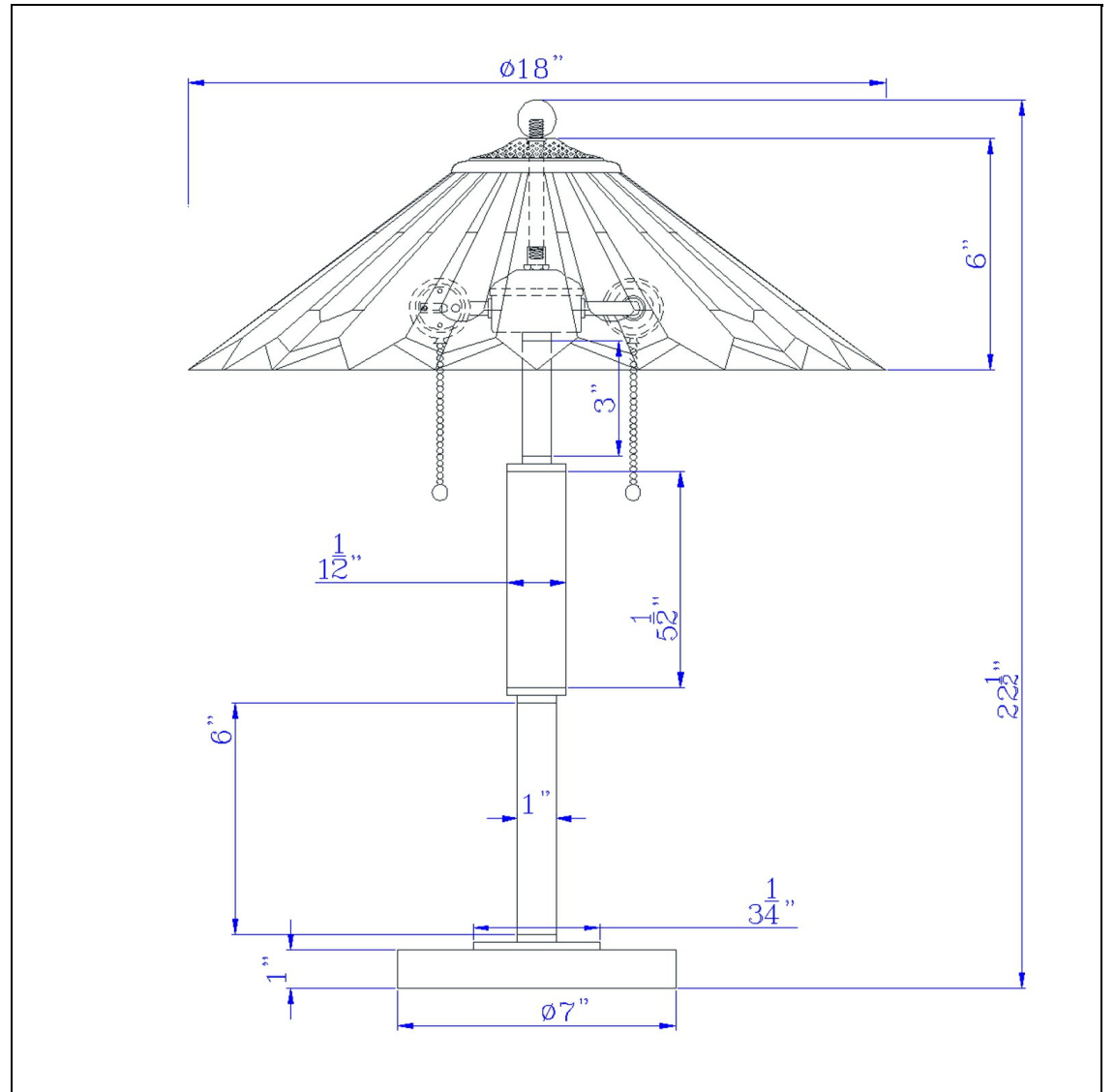


Product No. **BO-3165TB**



Description

60W x 2 Muirfield tiffany table lamp  
Durable Metal Construction  
Brushed Steel Finish  
Weighted Base for Added Stability  
Hand Painted/Stained Glass Shade  
Ships in One Carton  
Little to No Assembly Required  
Double Pull Chain  
Add a pop of color to your home with this hand painted tiffany art glass table lamp. It features a brushed metal pole style body set on a rounded platform base. This stunning floor lamp is sure to be an eye catching addition to your collection.

Technical Specifications

<b>UPC</b>	020193067284	<b>Shade Bottom1</b>	18.00
<b>Wattage</b>	60W X 2	<b>Shade Side</b>	5.75
<b>Switch Type</b>	ON/OFF	<b>Carton 1 Dimensions</b>	21.80 x 9.30 x 21.30
<b>Bulb Base</b>	E26	<b>Carton 2 Dimensions</b>	0.00 x 0.00 x 21.30
<b>Number of Lights</b>	2	<b>Package Dimensions</b>	L: 21.30 W: 9.30 H: 21.80
<b>Color</b>	Bronze		
<b>Base Color</b>	Bronze		