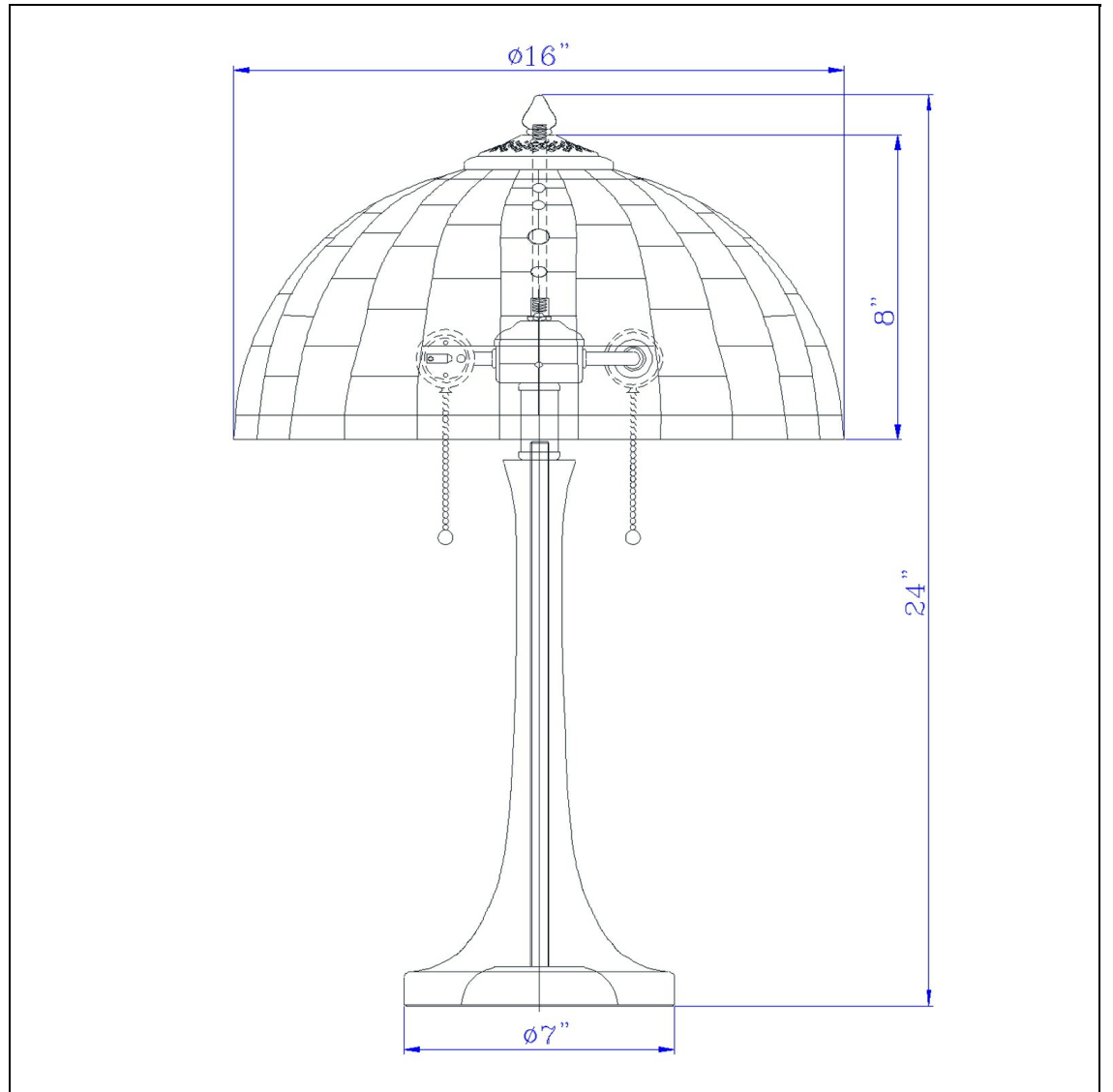


Product No. **BO-3166TB**



Description

60W x 2 Whitton tiffany table lamp
Durable Resin Construction
Painted Black Finish
Weighted Base for Added Stability
Hand Painted/Stained Glass Shade
Ships in One Carton
Little to No Assembly Required
Double Pull Chain
Add a touch of color to your space with this hand painted art glass table lamp. It features an eye catching amber color with a multi-tonal tile pattern. This beautiful lamp comes complete with a rounded weighted base for added stability.

Technical Specifications

UPC	020193067284	Shade Bottom1	16.00
Wattage	60W X 2	Shade Side	8.00
Switch Type	ON/OFF	Carton 1 Dimensions	24.30 x 10.80 x 21.30
Bulb Base	E26	Carton 2 Dimensions	0.00 x 0.00 x 21.30
Number of Lights	2	Package Dimensions	L: 21.30 W: 10.80 H: 24.30
Color	Black		
Base Color	Black		