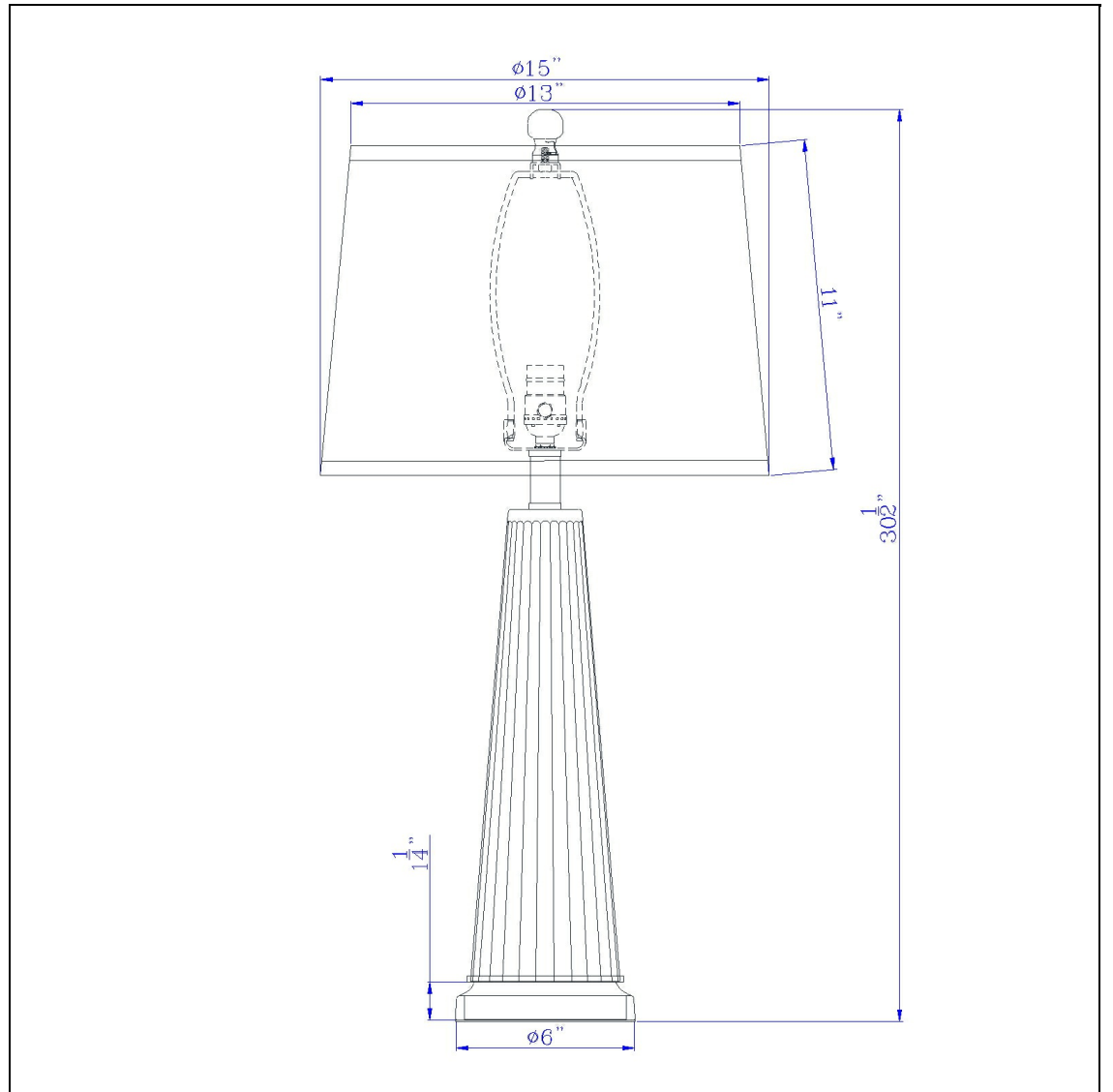


Product No. **BO-3173TB-2**



Description

150W 3 way Huxley glass table lamp with hardback fabric shade (sold in pairs)  
Durable Glass Construction  
Three Way Switch  
Antique Brass Circular Weighted Base  
Fluted Clear Glass Body  
Round Hardback Fabric Shades Included  
Ships in One Carton  
Sold as pair  
Rotary Switch on Socket  
Update your decor with this stylish conical glass table lamp. This elegant table lamp features an elegant fluted glass design set on a brushed steel platform base. This lamp is sold as a set of two and ships complete with matching shades and finials

Technical Specifications

<b>UPC</b>	020193067284	<b>Shade Top1</b>	13.00
<b>Wattage</b>	150W	<b>Shade Bottom1</b>	15.00
<b>Switch Type</b>	3 WAY	<b>Shade Side</b>	11.00
<b>Bulb Base</b>	E26	<b>Carton 1 Dimensions</b>	21.80 x 16.80 x 16.80
<b>Number of Lights</b>	2	<b>Carton 2 Dimensions</b>	0.00 x 0.00 x 16.80
<b>Color</b>	Glass/Antique Brass	<b>Package Dimensions</b>	L: 16.80 W: 16.80 H: 21.80
<b>Base Color</b>	Glass/Antique Brass		