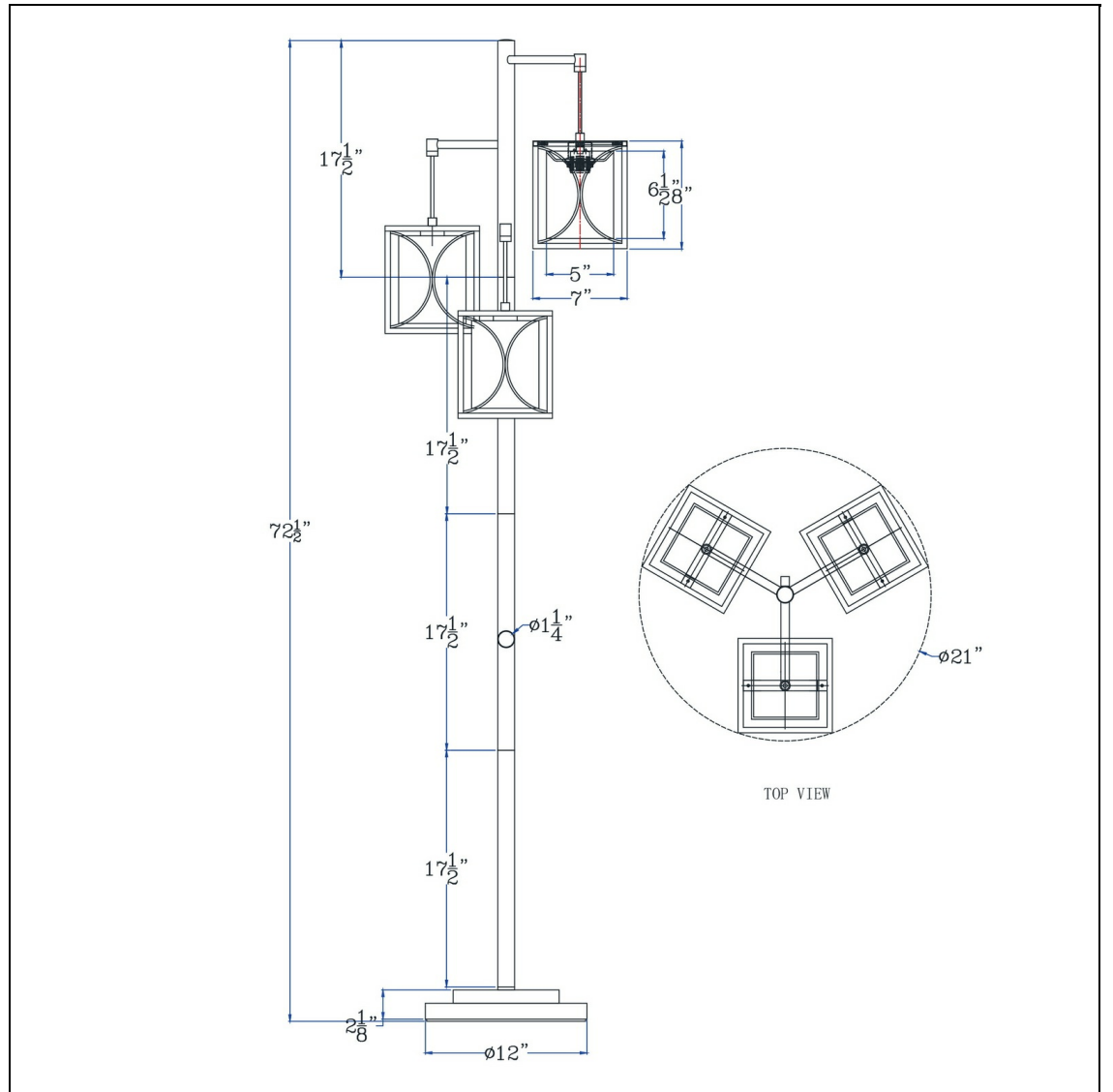


Product No. **BO-3193FL**



Description

60W x 3 Lantern metal floor lamp with metal framed fabric shades
Durable Metal Construction
Three Light
Lantern Style Light
Hardback Fabric Shades
Weighted Base for Added Stability
Half Moon Cage Design

Technical Specifications

UPC	020193067284	Shade Top1	7.00
Wattage	60W X 3	Shade Top2	7.00
Switch Type	3 WAY	Shade Bottom1	7.00
Bulb Base	E26	Shade Bottom2	7.00
Number of Lights	3	Shade Side	8.00
Color	Black Iron	Carton 1 Dimensions	15.00 x 17.00 x 21.30
Base Color	Black Iron	Carton 2 Dimensions	0.00 x 0.00 x 21.30
		Package Dimensions	L: 21.30 W: 17.00 H: 15.00