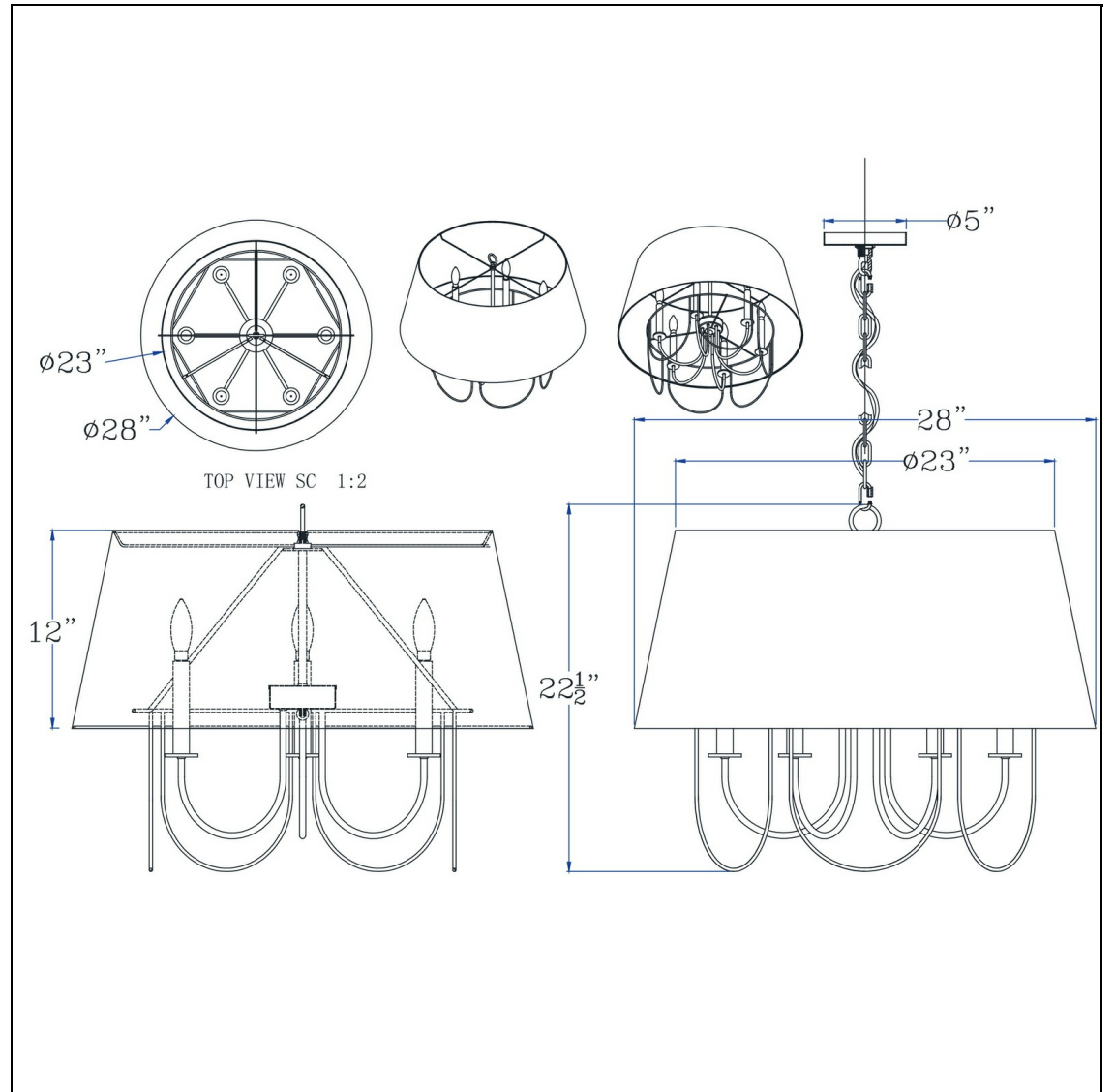


Product No. **FX-3817-6**



Description

60W x 6 Eupora metal chandelier with burlap shade
Durable Metal Construction
Two Tone Finish
Hardback Burlap Shade
6 Feet of Chain
Canopy Included
Ships in 1 Carton

Technical Specifications

UPC	020193067284	Carton 1 Dimensions	14.30 x 30.00 x 30.00
Wattage	60W X 6	Carton 2 Dimensions	0.00 x 0.00 x 30.00
Bulb Base	E12	Package Dimensions	L: 30.00 W: 30.00 H: 14.30
Number of Lights	4		
Color	Antique Brass / Black		
Base Color	Antique Brass		