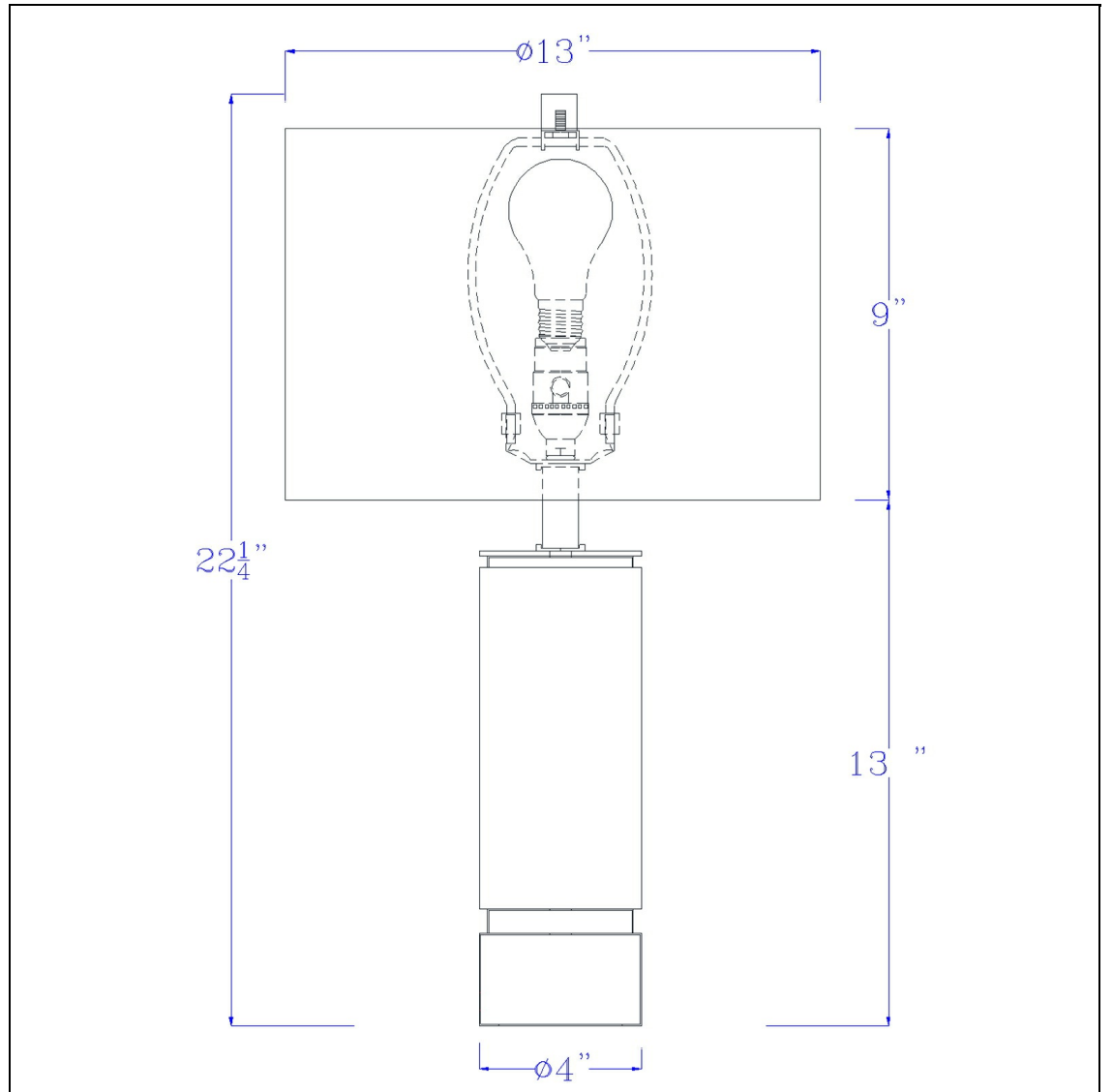


Product No. **BO-3201TB**



Description

150W 3 way Salford Marble stone table lamp with metal base and hardback fabric shade  
Durable Metal Construction  
Cylinder Marble Base  
Ships in One Carton  
Little to No Assembly Required  
Three Way Rotary Switch on Socket  
72" Cord  
cUL Listed  
Round Hardback Shade Included  
This charming table lamp creates an elegant look for an end table, console, or nightstand. It features a cylinder marble body with antique brass accents. A crisp white linen shade completes the look.

Technical Specifications

|                         |                            |                            |                            |
|-------------------------|----------------------------|----------------------------|----------------------------|
| <b>UPC</b>              | 020193067284               | <b>Shade Top1</b>          | 13.00                      |
| <b>Wattage</b>          | 150W                       | <b>Shade Bottom1</b>       | 13.00                      |
| <b>Lumen</b>            | X                          | <b>Shade Side</b>          | 9.00                       |
| <b>Switch Type</b>      | 3 WAY                      | <b>Carton 1 Dimensions</b> | 26.00 x 15.00 x 15.00      |
| <b>Bulb Base</b>        | E26                        | <b>Carton 2 Dimensions</b> | 0.00 x 0.00 x 15.00        |
| <b>Number of Lights</b> | 1                          | <b>Package Dimensions</b>  | L: 15.00 W: 15.00 H: 26.00 |
| <b>Color</b>            | Antique Brass/Black Marble |                            |                            |