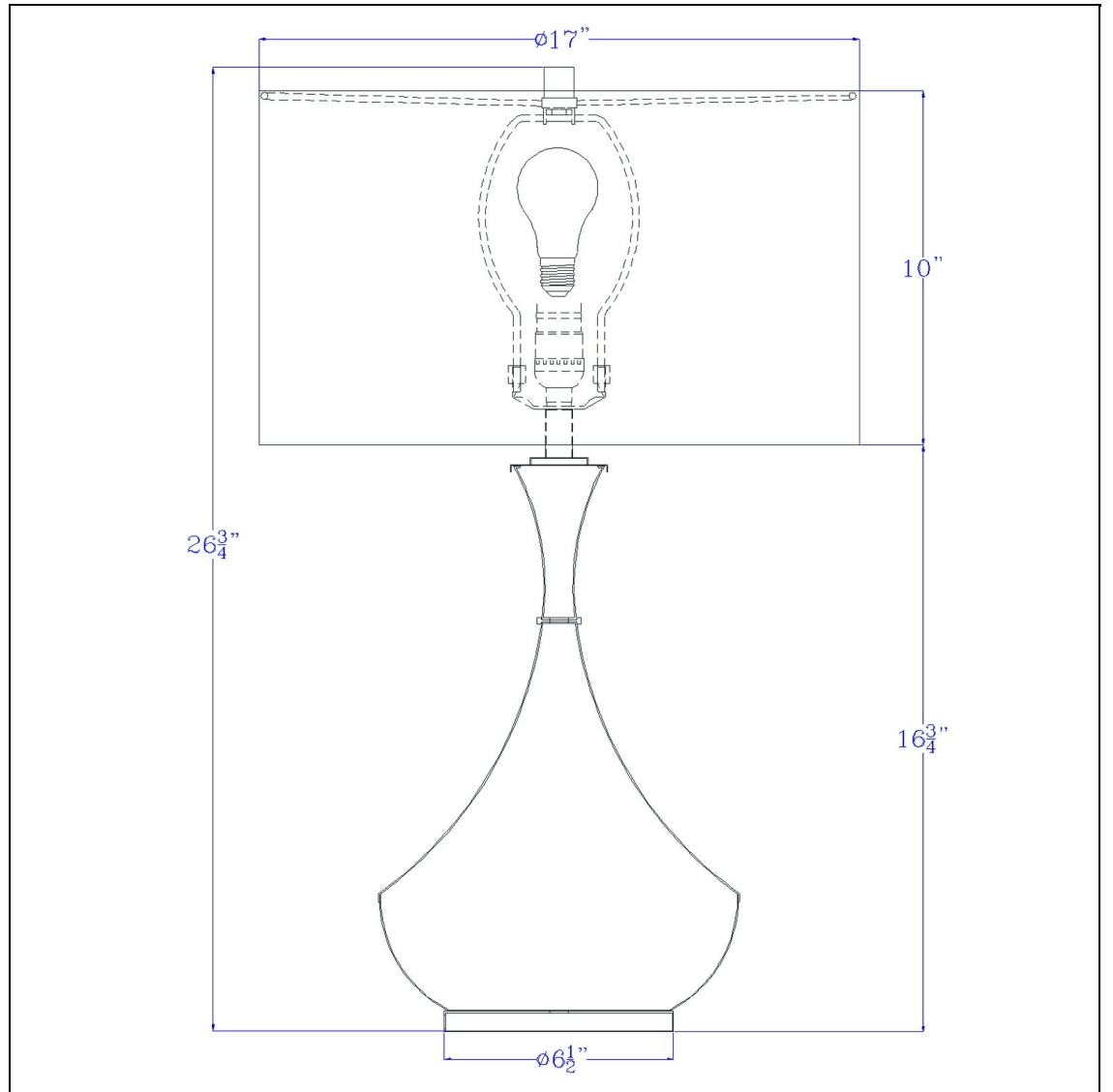


Product No. **BO-3202TB**



Description

150W 3 way Hove hand hammered metal table lamp with drum hardback fabric shade
Durable Metal Construction
Hammered Metal Finish
Ships in One Carton
Little to No Assembly Required
Three Way Rotary Switch on Socket
72" Cord
cUL Listed
Round Hardback Shade Included
Add a stylish accent to your space with this antique brass metal table lamp. It features an eye catching hammered metal finish with a wide bottom base. Lamp ships complete with a complimentary hardback linen shade.

Technical Specifications

UPC	020193067284
Wattage	150W
Lumen	X
Switch Type	3 WAY
Bulb Base	E26
Number of Lights	1
Color	Antique Brass

Shade Top1	17.00
Shade Bottom1	17.00
Shade Side	10.00
Carton 1 Dimensions	25.30 x 19.00 x 19.00
Carton 2 Dimensions	0.00 x 0.00 x 19.00
Package Dimensions	L: 19.00 W: 19.00 H: 25.30