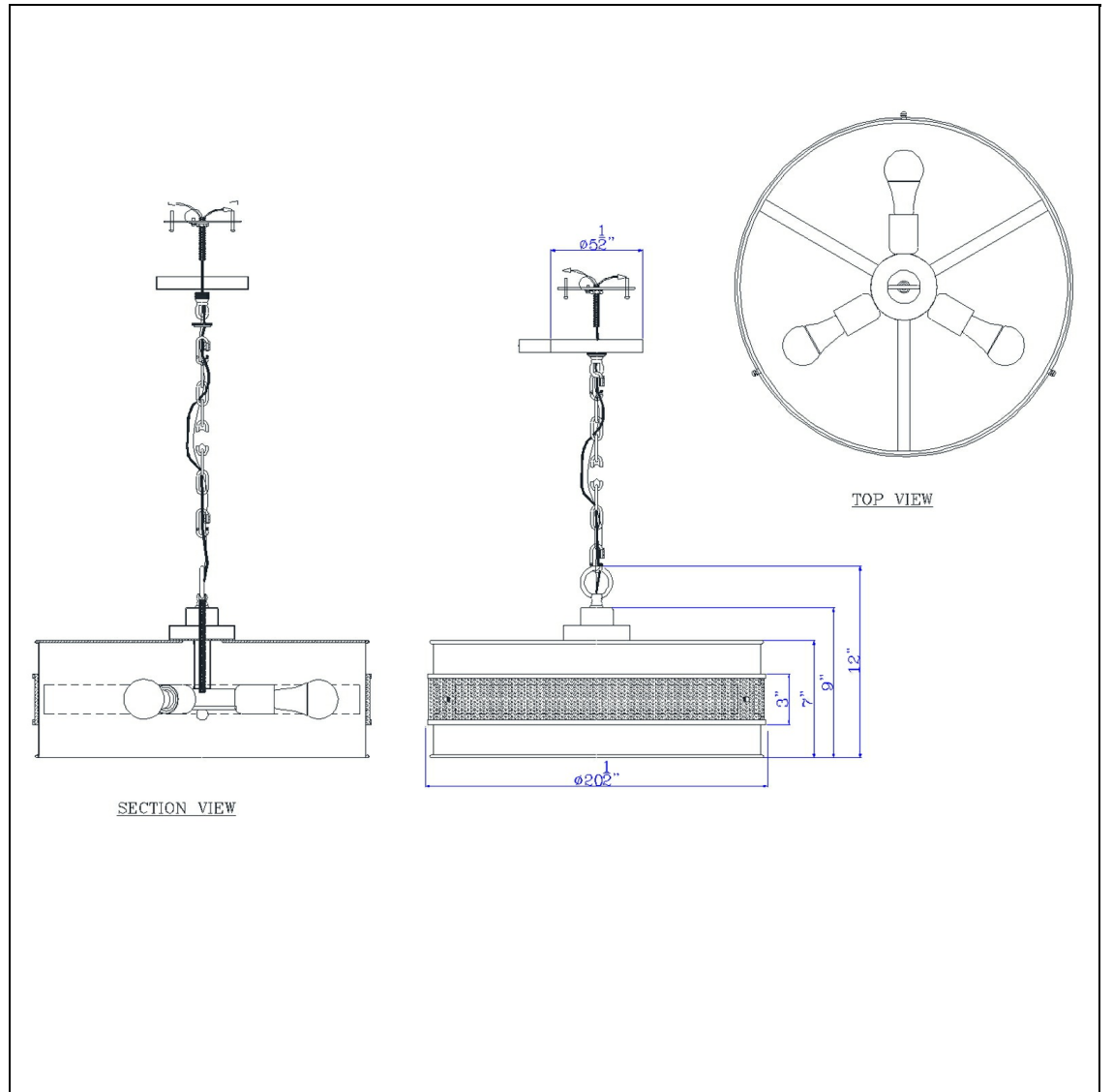


Product No. **FX-3822-3**



Description

60W x 3 Heraklion metal drum chandelier
Durable Metal Construction
Round Drum Style Metal Shade
Ships in One Carton
Hardwired Installation Required
Canopy Included
72" Chain
cUL Listed
With a distress metal finish, this chandelier is styled to complement various styles from rustic to modern. It features a metal drum shade with a decorative mesh outer band. This eye catching fixture ships complete with matching canopy and chain.

Technical Specifications

UPC	020193067284
Wattage	60W X 3
Lumen	X
Switch Type	X
Bulb Base	E26
Number of Lights	3
Color	Aged Bronze

Carton 1 Dimensions	15.50 x 24.00 x 24.00
Carton 2 Dimensions	0.00 x 0.00 x 24.00
Package Dimensions	L: 24.00 W: 24.00 H: 15.50